

BT-marine kumilaakerit

Pronssi (kuori)		"METRIC" mitoitus			ComPOSITE (kuori)	
Tilausnumero	HINTA	Akselin halk.	Ulkomitta	Pituus	Tilausnumero	HINTA
BBMM025	49,00	25mm	40mm	100mm	BNMM025	34,90
BBMM031	64,00	30mm	40mm	120mm	-	-
BBMM030	64,00	30mm	45mm	120mm	BNMM030	41,00
BBMM035	80,00	35mm	50mm	140mm	BNMM035	49,90
BBMM040	90,00	40mm	55mm	160mm	BNMM040	53,50
BBMM045	116,00	45mm	65mm	180mm	BNMM045	68,00
BBMM050	130,00	50mm	70mm	200mm	BNMM050	89,00
BBMM055	181,00	55mm	75mm	220mm	BNMM055	131,00
BBMM060	192,00	60mm	80mm	240mm	BNMM060	115,00
BBMM061	220,00	60mm	85mm	240mm	-	-
BBMM065	220,00	65mm	85mm	260mm	BNMM065	152,00
BBMM070	235,00	70mm	90mm	280mm	BNMM070	153,00
BBMM075	299,00	75mm	95mm	300mm	BNMM075	200,00
BBMM080	359,00	80mm	100mm	320mm	BNMM080	200,00
BBMM085	390,00	85mm	105mm	340mm	BNMM085	272,00
BBMM090	439,00	90mm	110mm	360mm	BNMM090	249,00
BBMM095	450,00	95mm	115mm	380mm	BNMM095	325,00
BBMM100	538,00	100mm	125mm	400mm	BNMM100	350,00



**MYÖS MUITA MITTOJA
150mm asti.**



Pronssi (kuori)		"Metric/imperial" mitoitus			ComPOSITE (kuori)	
TILAUSNUMERO	HINTA	Akselin halk.	Ulkomitta	Pituus	Tilausnumero	HINTA
BBMI027	41,00	25mm	1,25"	100mm	-	-
BBMI026	45,00	25mm	1,375"	100mm	-	-
BBMI025	49,00	25mm	1,5"	100mm	BNMI025	42,00
BBMI030	55,00	30mm	1,75"	120mm	BNMI030	45,00
BBMI035	72,00	35mm	1,875"	140mm	BNMI035	50,00
BBMI040	88,00	40mm	2,125"	160mm	BNMI040	58,00
BBMI046	95,00	40mm	2,5"	160mm	BNMI046	71,00
BBMI045	95,00	45mm	2,375"	180mm	BNMI045	66,00
BBMI050	120,00	50mm	2,625"	200mm	BNMI050	79,00
BBMI055	160,00	55mm	3"	220mm	BNMI055	109,00
BBMI061	199,00	60mm	3"	240mm	BNMI061	99,00
BBMI062	205,00	60mm	3,25"	240mm	BNMI062	129,00
BBMI066	209,00	65mm	3,25"	240mm	BNMI066	135,00
BBMI070	217,00	70mm	3,5"	280mm	BNMI070	148,00
BBMI075	352,00	75mm	4"	300mm	BNMI075	225,00
BBMI080	370,00	80mm	4"	320mm	BNMI080	199,00
BBMI090	450,00	90mm	4,5"	360mm	BNMI090	232,00
BBMI100	600,00	100mm	5,25"	400mm	BNMI100	389,00

BT-marine kumilaakerit

Pronssi (kuori)		"IMPERIAL" mitoitus			Composite (kuori)	
Tilausnumero	HINTA	Akselin halk.	Ulkomitta	Pituus	Tilausnumero	HINTA
BBII101	45,00	1"	1,25"	4"	-	-
BBII100	45,00	1"	1,5"	4"	BNII100	41,00
BBII125	63,00	1,25"	1,75"	5"	BNII125	46,00
BBII127	71,00	1,25"	2"	5"	BNII127	59,00
BBII150	83,00	1,5"	2"	6"	BNII150	61,00
BBII175	90,00	1,75"	2,375"	7"	BNII175	70,00
BBII200	110,00	2"	2,625"	8"	BNII200	85,00
BBII225	156,00	2,25"	3"	9"	BNII225	130,00
BBII226	167,00	2,25"	3,125"	9"	BNII226	142,00
BBII252	184,00	2,5"	3,125"	10"	BNII252	145,00
BBII250	184,00	2,5"	3,25"	10"	BNII250	162,00
BBII275	232,00	2,75"	3,5"	11"	BNII275	176,00
BBII276	232,00	2,75"	3,75"	11"	BNII276	180,00
BBII301	342,00	3"	3,75	12"	BNII301	209,00
BBII300	342,00	3"	4"	12"	BNII300	225,00
BBII325	360,00	3,25"	4,25"	13"	BNII325	260,00
BBII350	405,00	3,5"	4,25"	14"	BNII325	315,00
BBII400	535,00	4"	5"	16"	BBII400	310,00

MYÖS MUITA KOKOJA



RADICE Pronssi Kumilaakerit

Tilausnumero	Akselin halk.	Ulkomitta	Pituus	HINTA
308006	25mm	35mm	100mm	60,00
308008	30mm	40mm	120mm	75,00
308010	35mm	48mm	140mm	95,00
308012	40mm	56mm	160mm	125,00
308014	45mm	61mm	180mm	150,00
308016	50mm	66mm	200mm	175,00
308047	55mm	73mm	220mm	215,00
308049	60mm	78mm	240mm	235,00

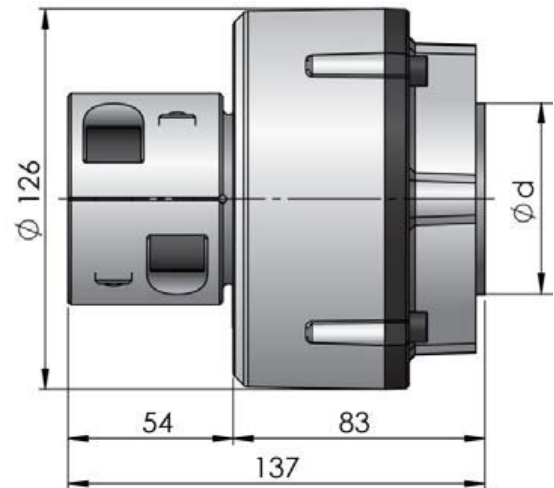
"Täyskuminen" Kumilaakeri

Tilausnumero	Akselin koko	Ulkomitta	Pituus	HINTA
SFF22-29	22mm	29mm	75mm	33,00
SFF22-36	22mm	36mm	75mm	33,00
SFF25-34	25mm	34mm	55mm	34,00
SFF25-36	25mm	36mm	100mm	37,00
SFF25-40	25mm	40mm	100mm	39,00
SFF25-120	25mm	40mm	120mm	40,00
SFF30-40	30mm	40mm	100mm	42,00
SFF30-120	30mm	40mm	120mm	45,00



Vetus joustavat akselikytkimet

Tilausnumero	Malli	HINTA
COMFL1225	Combiflex 12 25mm	289,00
COMFL1230	Combiflex 12 30mm	289,00
K051	Malli 6 25mm	309,00
K052	Malli 6 30mm	309,00
K053	Malli 6 35mm	309,00
UNIFL1325	Uniflex 13 25mm	369,00
UNIFL1330	Uniflex 13 30mm	369,00
UNIFL1635	Uniflex 16 35mm	639,00
UNIFL1640	Uniflex 16 40mm	639,00



Tekniset tiedot

Malli	HV/100rpm	D mm	L mm	akseli mm
Combiflex 12	3,2	126	137	25, 30
K05 malli 6	5,3	137	84	25, 30,35
Uniflex 13	3,6	130	98	25, 30
Uniflex 16	7,1	199	131	35, 40

Malli 6



Uniflex

